



CENTER POLE UMBRELLA

—
Prostor P50
—

Elegant and modern design

Light and easy to use

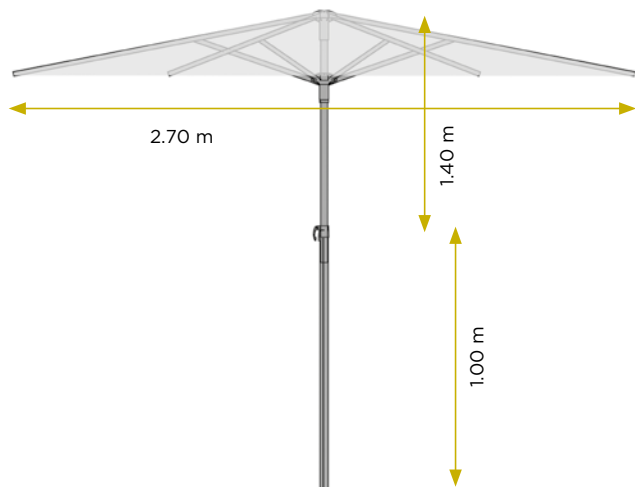
Perfect match with the P3 and P4 umbrellas

Standard supplied with an extension tube of 1m



Specifications, fixation and accessories

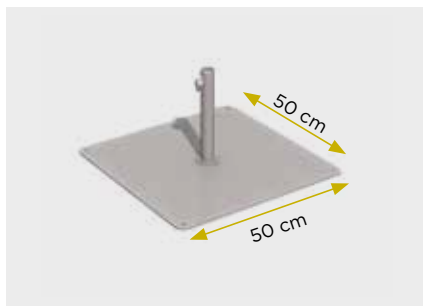
DIMENSIONS



COLOURS

See page 30

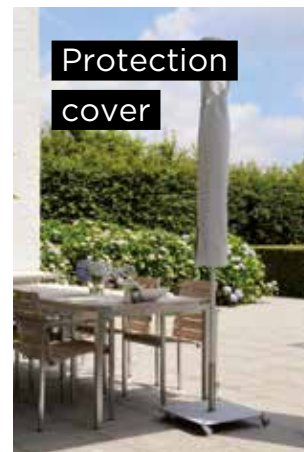
FIXATION



Floor plate
warm galvanised, 18 kg
Fixing materials not included



Aluminium base
coated aluminium cover to
fill up with sand: 25 kg.



Protection cover

Comes with a polyester protection cover for durable use of your umbrella as standard.



Swivel wheels

Swivel wheels with or without brakes, enabling you to move your umbrella effortlessly.



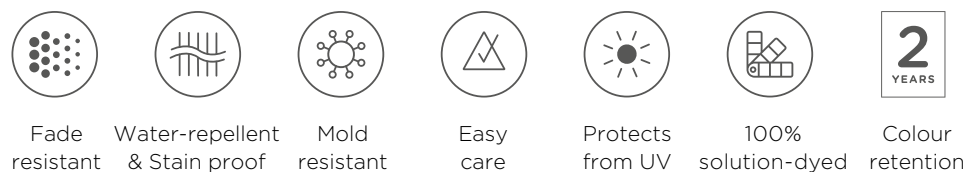
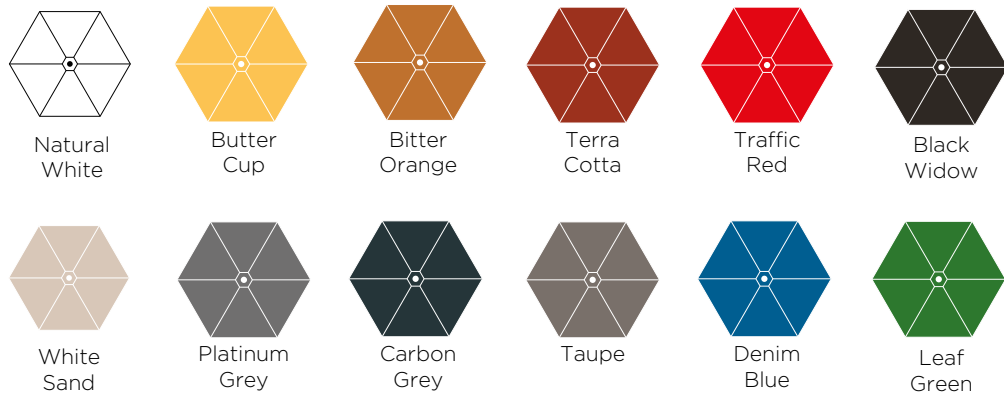
Product video

Curious for more? Scan the QR code to view the product video on your smartphone or go to www.prostor.be.



FABRIC

Add colour to your place in the shade



100% Olefin solution-dyed

Weight: 190 g/m²

Colourfastness: 7-8/8 (Standard ISO 105 B04)

Water repellent

UV: filters more than 97% of the UV rays

Maintenance: all fabrics can be washed and replaced.

Arm and frame have a stylish finishing in anodised aluminium.



100% recyclable



Accessories

Protection cover

Protection cover for 1 umbrella, allowing you to enjoy it even longer.



Standard